

Developing Environment

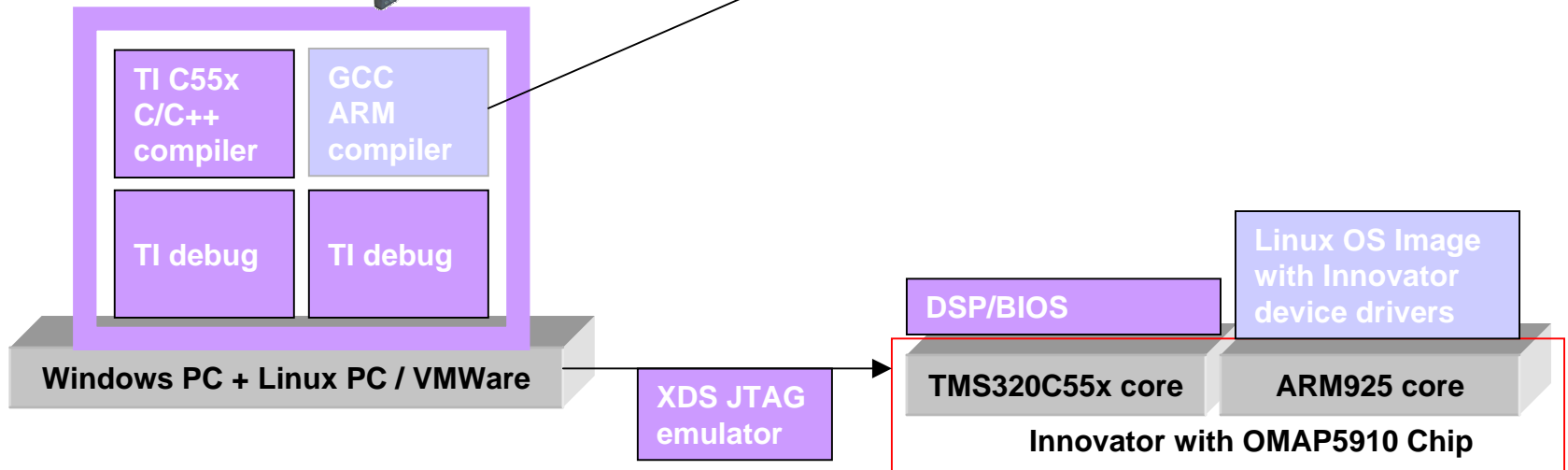
- **rrload(Download via UART, Ethernet)**
- **MontaVista Linux CEE 3.0**
- **TI CCS for OMAP V2.1 Above**
- **JTAG XDS510PP Plus**
- **PCx2**
 - ▶ **MS-Windows with CCS + JTAG**
 - ▶ **Linux (rrload + Linux OS)**

Code Composer Studio Tools + GNU ARM Compiler



If Win PC only
then requires
VMWare

TI tools
MontaVista

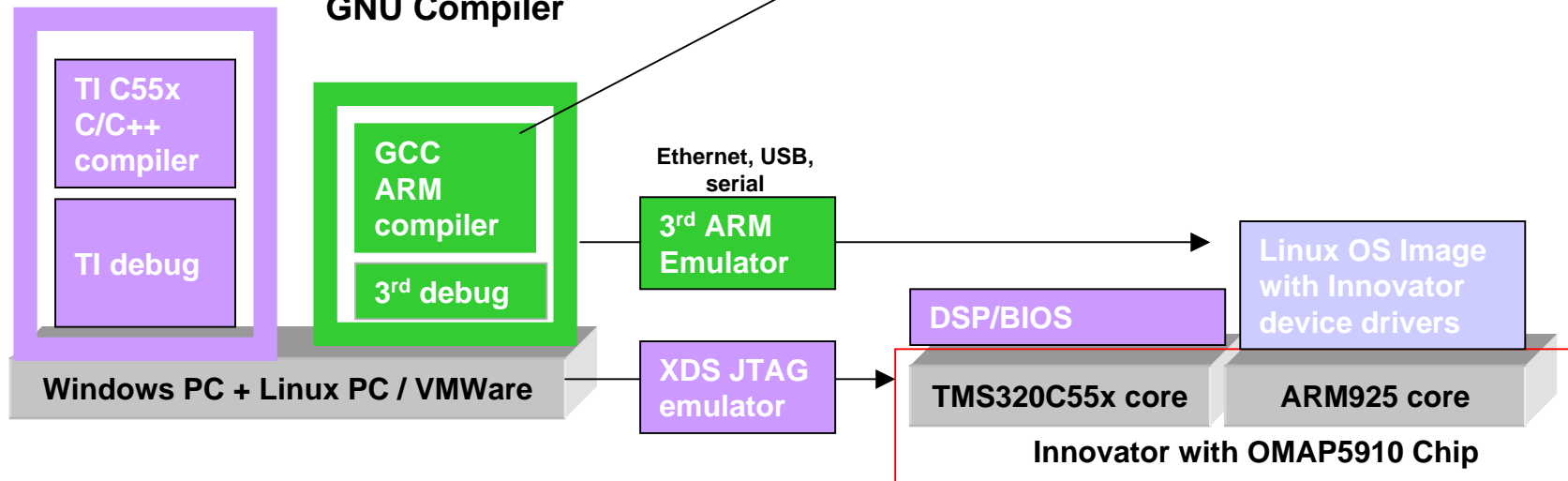
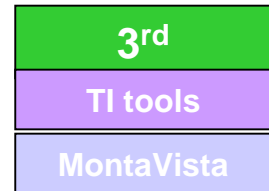


Code Composer Studio Tools



3P Debugger
and
GNU Compiler

*If Win PC only
then requires
VMWare*



- **Microunit provide complete design service on OMAP include H/W and Linux S/W support**
- **Contact Microunit for OMAP support**
 - ▶ **Email – sanmao1644@sina.com**
 - ▶ **Email – zsm@microunit.com.cn**
 - ▶ **Phone – 0571-88156055**
 - ▶ **Website – <http://www.microunit.com.cn>**